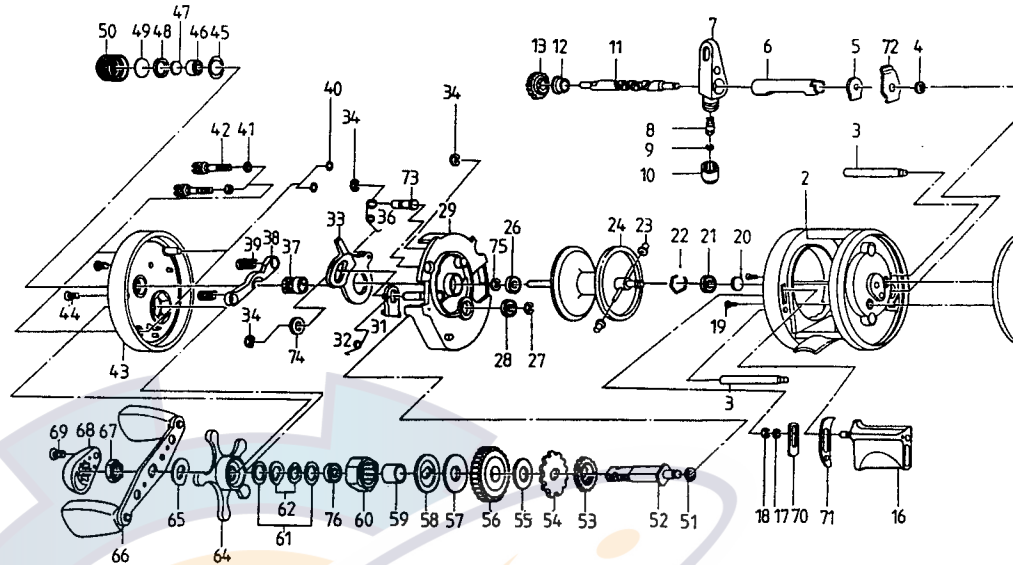


SPECIFICATIONS :

- Med FW
- 150 yds / 12 lb Line Capacity
- 5.2:1 Gear Ratio
- 10.2 oz.
- 22 Inches Per Handle Turn
- Bearings:
 - CTI22L - 4 BB; 1 RB
 - LSR22L - 2 BB; 1 RB



FEATURES :

- Continuous Anti-Reverse
- One Piece Aluminum Frame
- Thumb Bar Spool Release
- Right Hand Retrieve
- Externally Adjustable Centrifugal Brake System
- Color :
 - CTI22 - Bright Silver
 - LSR22 - Dark Brown

Key No.	Part No.	DESCRIPTION	Price	Key No.	Part No.	DESCRIPTION
1	UV023-01	Palm Side Cover		39	TV040-01	Pinion Yoke Spring
2	UV301-01	Frame Assembly		40	TV073-01	Thumb Screw O-Ring
3	TV061-01	Line Guide Carrier Guide Pin		41	TV035-01	Thumb Screw Washer
4	NX092-01	E-Clip		42	TV074-01	Thumb Screw
5	TV067-01	Worm Shaft Bushing - Palm Side		43	UV324-01	Gear Side Cover Assembly
6	TV016-01	Worm Shaft Guide		44	TV053-01	Gear Side Cover Screw
7	TV347-01	Line Guide Carrier Assembly		45	QW101-01	Tension Knob O-Ring
8	ZW006-01	Line Guide Pawl		46	SW117-01	Tension Knob Ball Bearing
9	BV035-04	Line Guide Pawl Washer		47	QW032-04	Spool Tension Washer
10	TV007-01	Line Guide Carrier Screw		48	QW081-01	Spool Tension collar
11	TV072-01	Worm Shaft		49	QW082-01	Spool Cushion Washer
12	TV068-01	Worm Shaft Bushing - Gear Side		50	TV033-01	Spool Tension Knob
13	ZW085-01	Level Wind Gear		51	TV032-01	Crank Shaft Spacing Washer
14	NX090-01	E-Clip		52	TV008-02	Crank Shaft
15	TV061-01	Thumb Bar Retaining Pin		53	ZW112-01	O/S Drive Gear
16	UV009-01	Thumb Bar		54	TV083-01	Trip Ratchet
17	QW035-02	Thumb Bar Pin Washer		55	QW111-01	Ratchet Washer
18	NX090-01	E-Clip		56	TV012-02	Drive Gear
19	TV053-01	Palm Side Cover Screw		57	TV059-01	Drag Disc
20	QW032-04	Spool Shaft Washer		58	TV045-01	Drag "D" Washer
21	UV017-01	Spool Shaft Bearing - Palm Side		59	ZW052-01	One Way Bearing Sleeve
22	QW080-01	Clip Ring		60	ZW063-01	One Way Bearing
23	TV044-01	Brake Shoe		61	TV038-01	Crank Shaft Washer
24	TV321-02	Spool Assembly		62	QW046-02	Spring "D" Washer
26	QW017-01	Spool Shaft Bushing - Gear Side		64	TV355-02	Star Drag Assembly
27	QW120-01	E-Clip		65	QW054-01	Handle Washer
28	SW017-01	Crank Shaft Bearing - Lower		66	TV318-01	Handle Assembly
28	N/A	QW017-01	Crank Shaft Bushing - Lower	67	QW003-02	Handle Nut
29	UV010-01	Set Plate		68	QW034-03	Handle Nut Cap
31	UV077-01	Kick Lever		69	QW123-01	Handle Nut Cap Screw
32	UV097-01	Kick Lever Spring		70	TV140-01	Thumb Bar Retaining Plate
33	UV039-01	Release Slider		71	UV056-01	Thumb Bar Guide
34	QW120-01	E-Clip		72	TV141-01	Worm Shaft Retainer
36	UV104-01	Release Slider Spring		73	TV103-01	Release Slider Spring Post
37	TV311-02	Pinion Gear Assembly		74	TV121-01	Release Slider Washer
38	UV025-01	Pinion Yoke		75	QW120-01	E-Clip
				76	TW058-01	Crank Shaft Bearing - Upper

MODEL	EFFECTIVE DATE OF	DISCONTINUED :
INTRODUCED : 1998	PARTS LIST/DIAGRAM: July '98	N/A

Prices subject to change without notice. Prices do not include postage and handling.

PLEASE ORDER BY PART NUMBER

7455 S.O. Box 370 Tulsa, Ok 74101 918-831-6965 Phone or 800-FIX REEL (349-7335) FAX

